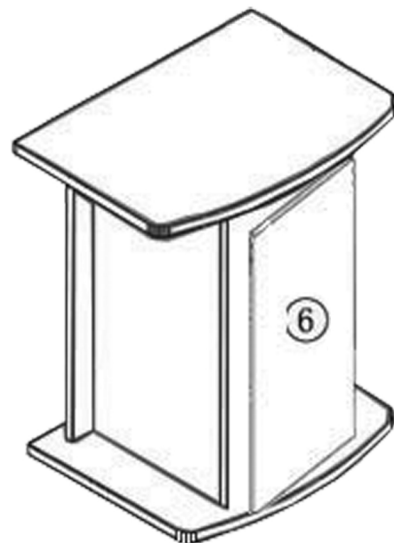
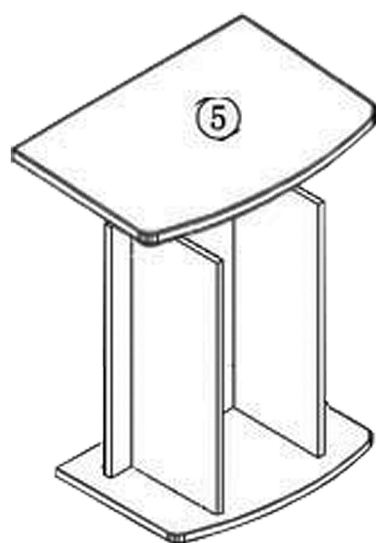
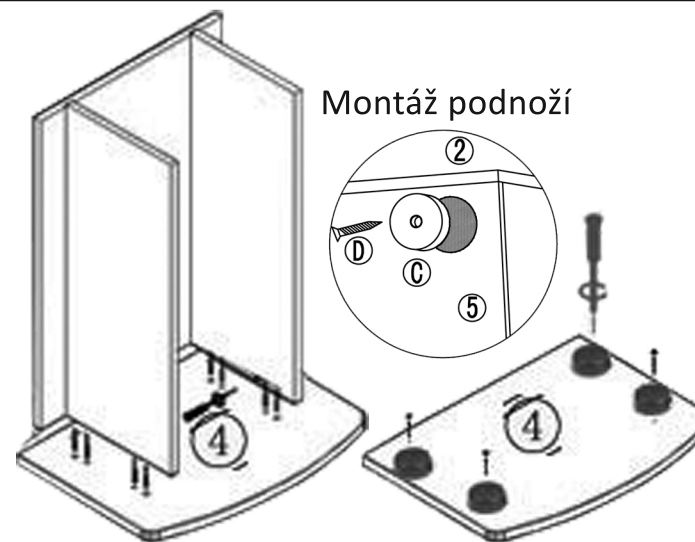
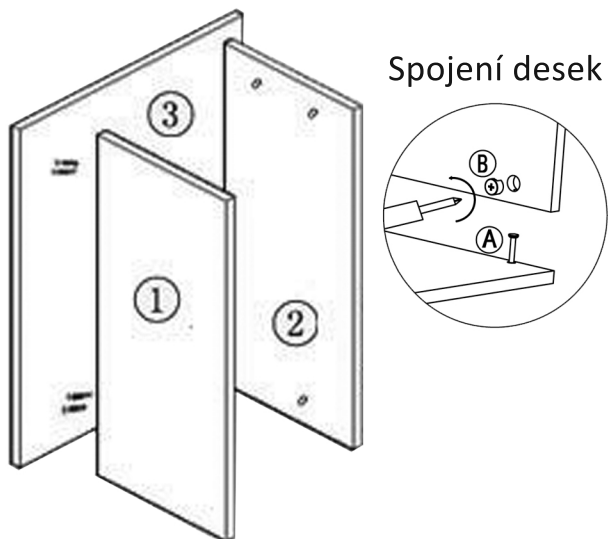
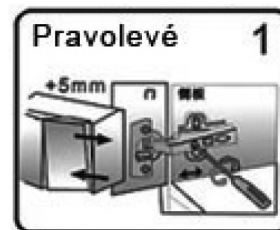


STOLEK PRO AKVÁRIUM GT100



Nastavení pantů



- ① 627 * 315 * 16 mm = 1
- ② 627 * 315 * 16 mm = 1
- ③ 627 * 405 * 16 mm = 1
- ④ 505 * 435 * 16 mm = 1
- ⑤ 505 * 435 * 16 mm = 1
- ⑥ 627 * 305 * 16 mm = 1

| | | |
|---|--|----|
| A | | 12 |
| B | | 12 |
| C | | 4 |
| D | | 4 |
| E | | 12 |
| F | | 1 |
| G | | 2 |